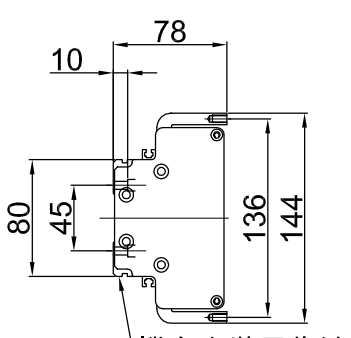
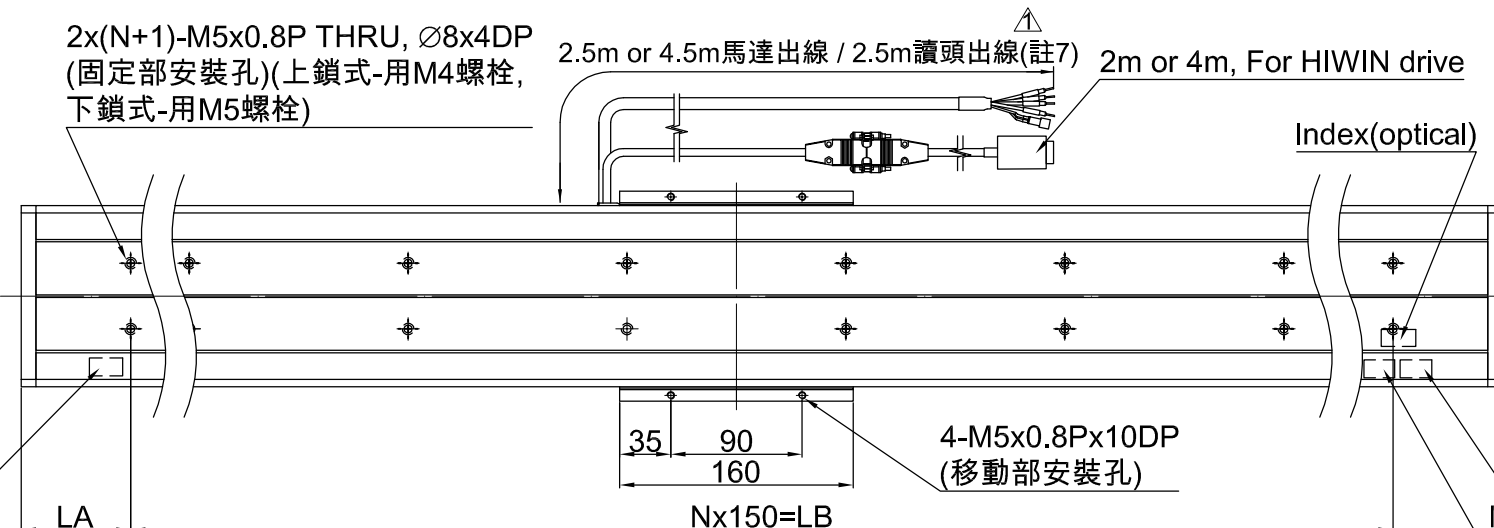
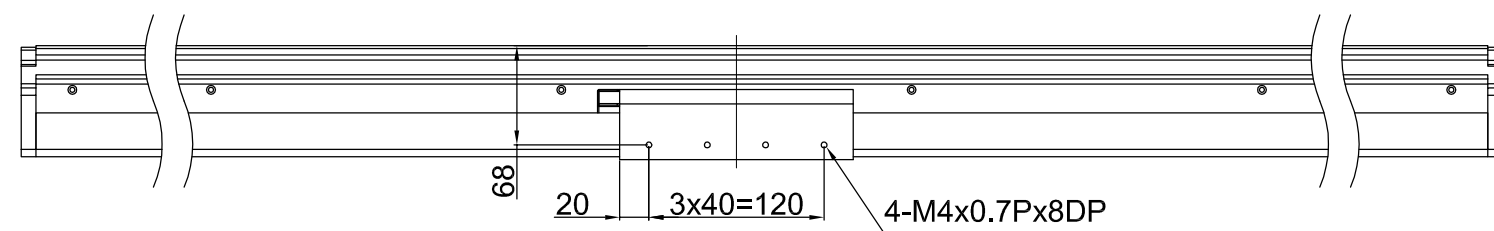


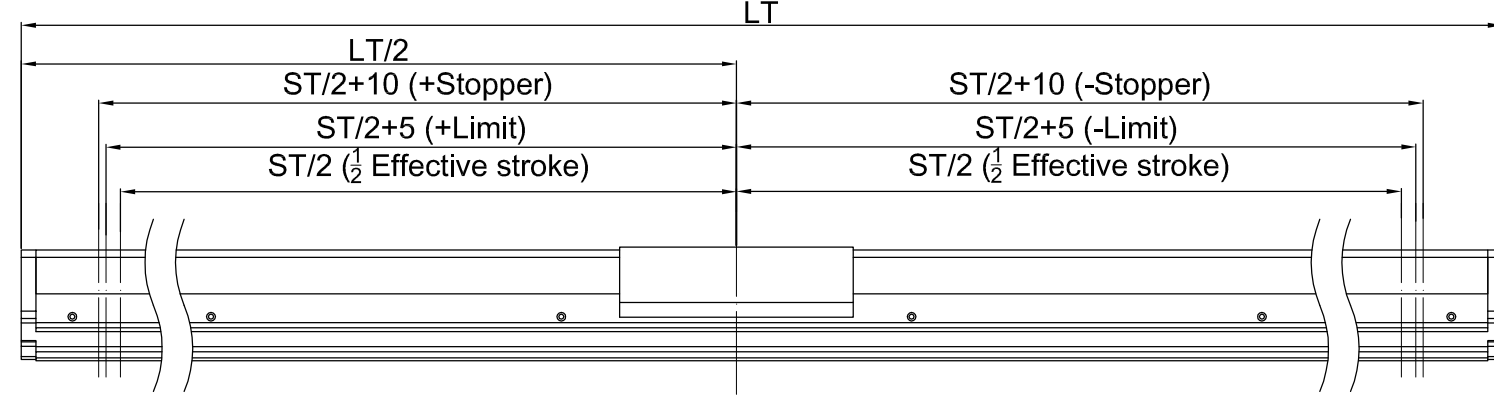
- 註：1. 規格：
LMSSA-08S050-1-□□□□(行程)-□(讀頭)□(元件線長).3□(近接開關)-M-B-A0000.
(規格編碼原則請參閱型錄)
- 移動部重量:1.8kg, 連續推力: 52 N, 瞬間推力: 145 N .
 - HIWIN 精度保證於室溫23°C±1°C下量測.
 - 出貨時鎖附在花岗岩上進行量測.
 - 若未搭配 HIWIN 驅動器，出貨報告將會提供精度補償表.
 - 讀頭延長線需另外購買
 - 規格為元件線長，從移動部出線的長度會減少0.5m，
例:線長3m->2.5m; 5m->4.5m; 7m->6.5m



機台安裝承靠邊

(表A-需求規格表)

精度挑選 (打勾V)	讀頭編碼	解析度	重現精度	絕對精度(註5)	槽距	
						K
G	Digital 1 μm optical	± 2 μm	± 4 μm			
A	Analog optical	± 1 μm	± 2 μm			
E	Digital 1 μm magnetic		± 3 μm	± 6 μm	1mm	
D	Analog magnetic		± 3 μm	± 6 μm		
尺寸挑選 (打勾V)	行程(ST)	尺寸				機台重量 (kg)
		LT	N	LA	LB	
	100	350	2	25	300	6.8
	150	400	2	50	300	7.3
	200	450	2	75	300	7.8
	250	500	3	25	450	8.2
	300	550	3	50	450	8.7
	350	600	3	75	450	9.1
	400	650	4	25	600	9.5
	450	700	4	50	600	9.9
	500	750	4	75	600	10.4
	550	800	5	25	750	10.9
	600	850	5	50	750	11.3
	650	900	5	75	750	11.8
	700	950	6	25	900	12.1
	750	1000	6	50	900	12.6
	800	1050	6	75	900	13.1
	850	1100	7	25	1050	13.5
	900	1150	7	50	1050	14.0
	950	1200	7	75	1050	14.4
	1000	1250	8	25	1200	14.8
	1050	1300	8	50	1200	15.2
	1100	1350	8	75	1200	15.7
	1150	1400	9	25	1350	16.2
	1200	1450	9	50	1350	16.6
	1250	1500	9	75	1350	17.1
	1300	1550	10	25	1500	17.4
	1400	1650	10	75	1500	18.3



Motor wiring diagram

Color	Signal
White	V
Brown	U
Gray	W
Shield	GND
Yellow	T+
Green	T-

Limit signal

BROWN	● 12~24V
BLACK	● OUTPUT
BLUE	● 0V

A:NPN.NC, B:PNP.NC

Encoder system -Analog magnetic

Function	Signal	Color	D-Sub Male-15P
Power	5V	Brown	4
	0V	White	12
Incremental signals	SIN+	Green	9
	SIN-	Yellow	1
	COS+	Blue	10
	COS-	Red	2
Reference mark	REF+	Violet	3
	REF-	Grey	11
Shield	-	-	case

Encoder system-Digital

Function	Signal	Color	D-Sub (Male-15P)	
			optical	magnetic
Power	5V	Brown	7,8	7
	0V	White	2,9	2
Incremental signals	A+	Green	14	
	A-	Yellow	6	
	B+	Blue	13	
	B-	Red	5	
Reference mark	Z+	Violet	12	
	Z-	Grey	4	
Shield	Inner	Inner Shield	15	case
	Outer	Outer Shield	case	-

Encoder system-Analog optical

Function	Signal	Color	D-Sub Male-15P
Power	5V	Brown	4
		Brown(link)	5
	0V	White	12
Incremental signals	V1+	Green	9
		White(link)	13
	V1-	Yellow	1
	V2+	Blue	10
Reference mark	V2-	Red	2
	V0+	Pink	3
Shield	V0-	Grey	11
	Inner	-	15
	Outer	-	case